

Series description Wilo-Yonos PARA .../7.5



Design

Glandless circulation pump with a cast iron pump housing and threaded connection or with specific composite pump housing. EC motor with automatic power adjustment and self-protecting modes. Operation by Red Knob technology and delivered with power cable or remote control via external PWM signal with power cable and PWM signal cable. LED user interface.

Application

Hot-water heating systems of all kinds, cooling applications

Type key

Example:	Yonos PARA RS 15/7.5 RKA FS 130 12 I
Yonos	Electronically controlled high-efficiency pump
PARA	pump range adapted to requirements of the OEM market
RS	Heating inline cast iron pump housing
	RS Standard cast iron pump housing
	RS KU Composite inline pump housing
15/	Nominal diameter:
	15 threading 1"
	20 threading 1 1/4"
	25 threading 1 1/2"
	30 threading 2"
6.0	Nominal delivery head range [m]
RKA	The pump is controlled by Red Knob technology: RKA = $\Delta p-v / \Delta p-c$ RKC = $\Delta p-v / \text{constant speed I, II, III}$ or PWM1 = the pump is controlled by an external system via PWM1 signal
FS	Overmoulded cable with brass end splices Optional: connector
130	Pump housing length: 110mm, 130 mm or 180 mm
12	Electronic box orientation
I	Individual packaging
(not specified)	Collective packaging (standard)

Technical data	
Approved fluids (other fluids on request)	
Heating water (in accordance with VDI 2035)	•
Water-glycol mixtures (max. 1:1; above 20% admixture, the pumping data must be checked)	•
Power	
Energy Efficiency Index (EEI)	≤ 0.21
Max. delivery head	7.6 m
Max. volume flow	4.0 m ³ /h
Permitted field of application	
Temperature range for applications in HVAC systems at max. ambient temperature	of 57°C = 0 to 95°C of 60°C = 0 to 90°C of 67°C = 0 to 70°C
Maximum static pressure	6 bar
Electrical connection	
Mains connection	1~230 V, 50/60 Hz
Motor/electronics	
Electromagnetic compatibility	EN 61800-3
Emitted interference	EN 61000-6-4/ EN 61000-6-3
Interference resistance	EN 61000-6-2/ EN 61000-6-1
Speed control	Frequency converter
Protection class	IP X4D
Insulation class	F
Minimum suction head at suction port for avoiding cavitation at water pumping temperature	
Minimum suction head at 50/95/110 °C	0.5 / 4.5 / - m

• = available, - = not available

Heating and cooling

High-efficiency pumps

Dimensions, motor data Wilo-Yonos PARA RS .../7.5 Red Knob/PWM1

Front view



Rear view



Motor data

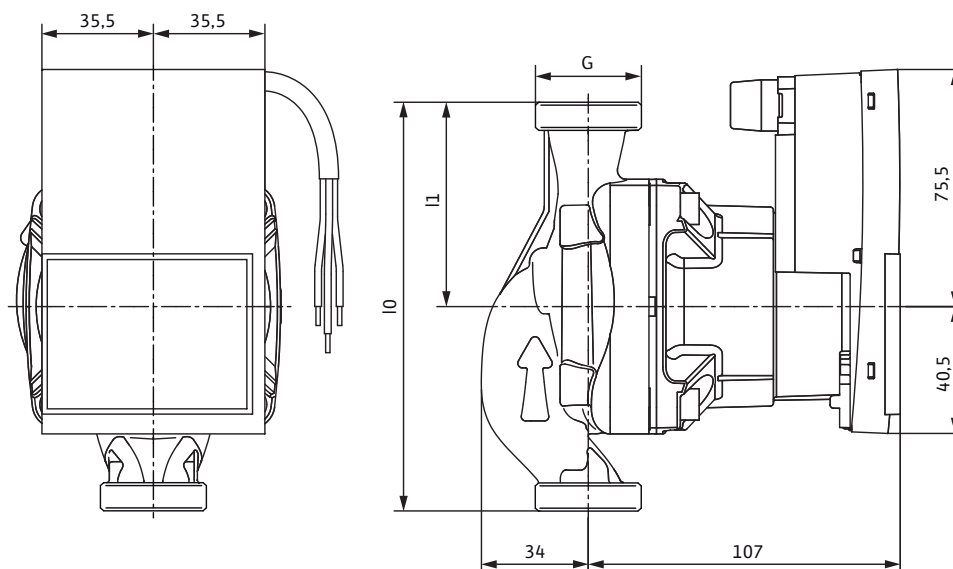
Wilo-Yonos PARA...	Nominal motor power	Speed	Power consumption 1~230 V	Current at 1~230V	Motor protection
	P_2	n	P_1	I	–
	W	rpm	W	A	–
RS .../7.5 RKA/RKC/PWM	70	800 - 4800	3-76	0.03 - 0.70	integrated

Materials

Wilo-Yonos PARA...	Pump housing	Impeller	Pump shaft	Bearing
RS .../7.5 RKA/RKC/PWM	Cast iron with cathaphoresis treatment	PP composite with GF 40%	Stainless steel	Carbon, metal impregnated

Dimensions, motor data Wilo-Yonos PARA RS .../7.5 Red Knob/PWM1

Dimension drawing



Dimensions, weights

Wilo-Yonos PARA...	Threaded pipe union	Thread	Overall length	Dimensions	Weight approx.
	–		l_0	$L1$	m
	–			mm	kg
RS 15/7.5 RKA/RKC/PWM	Rp ½	G 1	110	65	1.7
RS 15/7.5 RKA/RKC/PWM	Rp ½	G 1	130	65	1.8
RS 25/7.5 RKA/RKC/PWM	Rp 1	G 1½	130	65	1.9
RS 30/7.5 RKA/RKC/PWM	Rp 1¼	G 2	180	90	2.2

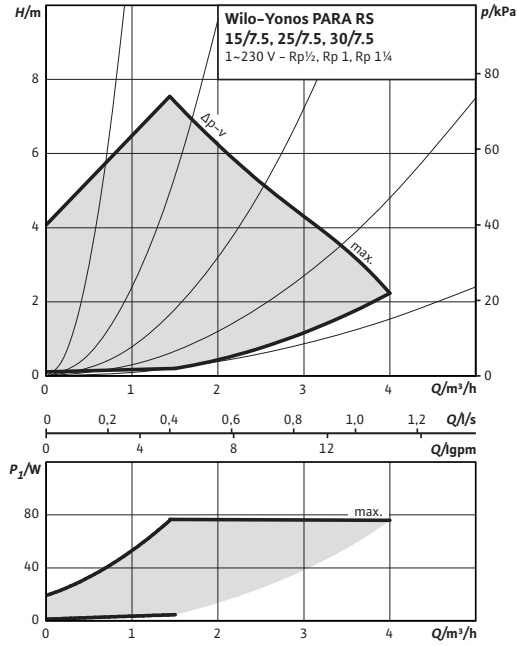
Heating and cooling

High-efficiency pumps

Pump curves Wilo-Yonos PARA RS 15/7.5, 20/7.5, 25/7.5 Red Knob/PWM1

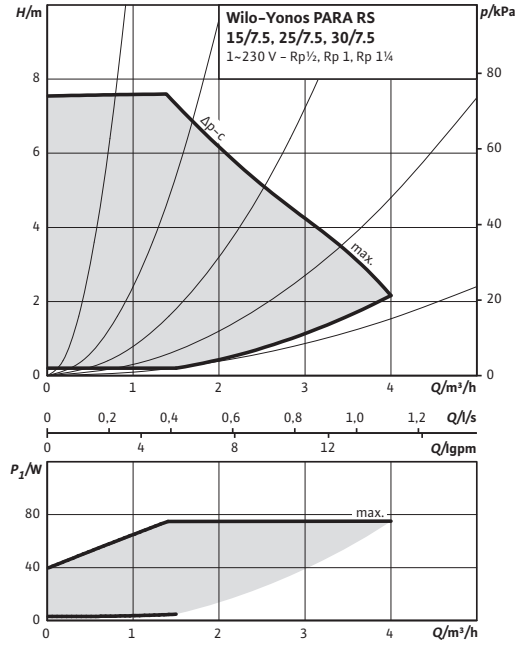
Wilo-Yonos PARA RS 15/7.5, 25/7.5, 30/7.5

$\Delta p-v$ (variable)



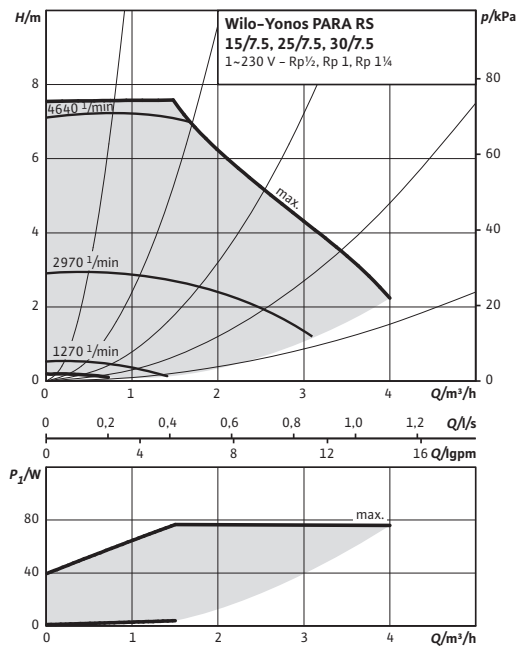
Wilo-Yonos PARA RS 15/7.5, 25/7.5, 30/7.5

$\Delta p-c$ (constant)



Wilo-Yonos PARA RS 15/7.5, 25/7.5, 30/7.5

Constant speed I, II, III



Wilo-Yonos PARA RS 15/7.5, 25/7.5, 30/7.5

External control via PWM 1

