

# SDIO/SM1A electronics module

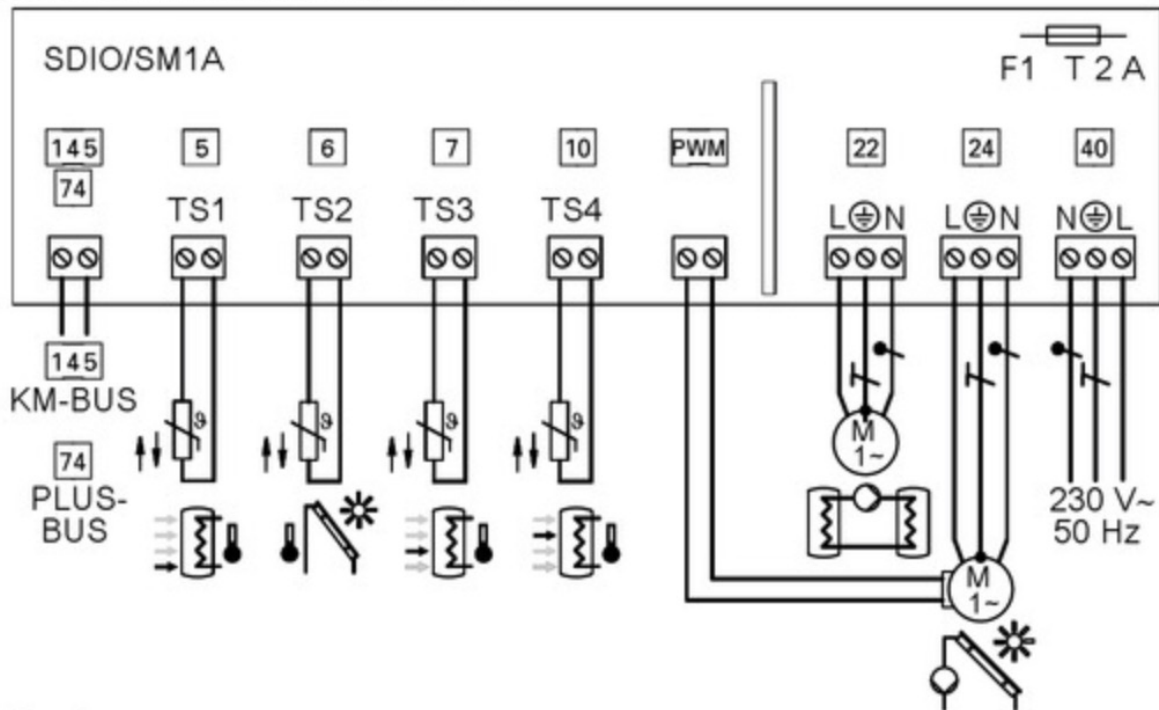


Fig. 1